
Parts and Equipment Guide

for Ion Sources and Mass Spectrometers



This document is provided to customers who have purchased SCIEX equipment to use in the operation of such SCIEX equipment. This document is copyright protected and any reproduction of this document or any part of this document is strictly prohibited, except as SCIEX may authorize in writing.

Software that may be described in this document is furnished under a license agreement. It is against the law to copy, modify, or distribute the software on any medium, except as specifically allowed in the license agreement. Furthermore, the license agreement may prohibit the software from being disassembled, reverse engineered, or decompiled for any purpose. Warranties are as stated therein.

Portions of this document may make reference to other manufacturers and/or their products, which may contain parts whose names are registered as trademarks and/or function as trademarks of their respective owners. Any such use is intended only to designate those manufacturers' products as supplied by SCIEX for incorporation into its equipment and does not imply any right and/or license to use or permit others to use such manufacturers' and/or their product names as trademarks.

SCIEX warranties are limited to those express warranties provided at the time of sale or license of its products and are the sole and exclusive representations, warranties, and obligations of SCIEX. SCIEX makes no other warranty of any kind whatsoever, expressed or implied, including without limitation, warranties of merchantability or fitness for a particular purpose, whether arising from a statute or otherwise in law or from a course of dealing or usage of trade, all of which are expressly disclaimed, and assumes no responsibility or contingent liability, including indirect or consequential damages, for any use by the purchaser or for any adverse circumstances arising therefrom.
(GEN-IDV-09-10816-C)

For Research Use Only. Not for use in Diagnostic Procedures.

Trademarks and/or registered trademarks mentioned herein, including associated logos, are the property of AB Sciex Pte. Ltd., or their respective owners, in the United States and/or certain other countries.

AB SCIEX™ is being used under license.

Echo and Echo MS are trademarks or registered trademarks of Labcyte, Inc. in the United States and other countries, and are being used under license.

© 2021 DH Tech. Dev. Pte. Ltd.



AB Sciex Pte. Ltd.
Blk33, #04-06 Marsiling Industrial Estate Road 3
Woodlands Central Industrial Estate, Singapore 739256

Contents

1 Introduction	4
2 Spare Parts	5
Mass Spectrometer.....	5
Mass Spectrometer Power Cables.....	5
Roughing Pump	7
Turbo V™, IonDrive™ Turbo V, and DuoSpray™ Ion Sources.....	7
OptiFlow® Turbo V Ion Source.....	9
OptiFlow® Pro Ion Source.....	10
NanoSpray® Ion Source.....	11
3 Consumables	13
Mass Spectrometer.....	13
Roughing Pump.....	14
Turbo V™ and IonDrive™ Turbo V Ion Sources.....	15
OptiFlow® Turbo V Ion Source.....	18
OptiFlow® Pro Ion Source.....	19
DuoSpray™ Ion Source.....	20
NanoSpray® Ion Source.....	21
Calibrant Delivery System (TripleTOF® Systems).....	22
Calibration Solutions.....	23

Note: Only parts and equipment listed in this guide are serviceable by the customer. Contact a Field Service Employee (FSE) for information about other parts.

This guide applies to non-MD systems, including:

- 3200 series systems
- SCIEX Triple Quad™ 3500 LC-MS/MS Systems
- 4000 series systems
- 4500 series systems
- 5500 series systems
- SCIEX Triple Quad™ 5500+ LC-MS/MS System – QTRAP® Ready
- 6500 and 6500+ series systems
- SCIEX Triple Quad™ 7500 LC-MS/MS System – QTRAP® Ready
- TripleTOF® 4600 Systems
- TripleTOF® 5600 and 5600+ Systems
- TripleTOF® 6600 and 6600+ Systems
- SCIEX X500 QTOF Systems
- ZenoTOF™ 7600 LC-MS/MS System

Ion sources detailed in the guide include:

- Turbo V™ Ion Source
- IonDrive™ Turbo V Ion Source
- OptiFlow® Turbo V Ion Source
- OptiFlow® Pro Ion Source
- DuoSpray™ Ion Source
- NanoSpray® Ion Source

Spare Parts

2



WARNING! Personal Injury Hazard. Use SCIEX-recommended parts only. Use of parts not recommended by SCIEX or use of parts for any purpose other than their intended purpose can put the user at risk of harm or negatively impact system performance.

Mass Spectrometer

Table 2-1 Mass Spectrometer Spares

Part Number	Description	Remark
1040121	Orifice plate interface heater kit.	Refer to the <i>Qualified Maintenance Person Guide</i> .
5065277	Synchronization cable for CTC PAL systems	(X500 QTOF and ZenoTOF™ 7600 LC-MS/MS Systems) Refer to the <i>Devices Setup Guide</i> .
5065278	Synchronization cable for ExionLC™ AC/AD, Shimadzu, Waters, Eksigent NanoLC 400, and Gilson systems	(X500 QTOF and ZenoTOF™ 7600 LC-MS/MS Systems) Refer to the <i>Devices Setup Guide</i> .
5068024	Synchronization cable for Agilent systems	(X500 QTOF and ZenoTOF™ 7600 LC-MS/MS Systems) Refer to the <i>Devices Setup Guide</i> .

Mass Spectrometer Power Cables

Table 2-2 Mass Spectrometer Mains Supply Cable Spares—ZenoTOF™ 7600 LC-MS/MS System

Part Number	Description	Remark
5076549	North America	Refer to the <i>Site Planning Guide</i> .
5082007	United Kingdom	Refer to the <i>Site Planning Guide</i> .

Spare Parts

Table 2-2 Mass Spectrometer Mains Supply Cable Spares—ZenoTOF™ 7600 LC-MS/MS System (continued)

Part Number	Description	Remark
5079458	Switzerland	Refer to the <i>Site Planning Guide</i> .
5079457	Italy	Refer to the <i>Site Planning Guide</i> .
5079459	Central Europe	Refer to the <i>Site Planning Guide</i> .
5079459	South Korea	Refer to the <i>Site Planning Guide</i> .
5079455	Australia	Refer to the <i>Site Planning Guide</i> .
5084519	Japan	Refer to the <i>Site Planning Guide</i> .
5078946	China	Refer to the <i>Site Planning Guide</i> .
5079454	India	Refer to the <i>Site Planning Guide</i> .

Table 2-3 Mass Spectrometer Mains Supply Cable Spares—All Other Systems

Part Number	Description	Remark
5009152	North America	Refer to the <i>Site Planning Guide</i> .
5027349	United Kingdom	Refer to the <i>Site Planning Guide</i> .
5027461	Switzerland	Refer to the <i>Site Planning Guide</i> .
5027503	Italy	Refer to the <i>Site Planning Guide</i> .
5027841	Central Europe	Refer to the <i>Site Planning Guide</i> .
5028400	South Korea	Refer to the <i>Site Planning Guide</i> .
5028431	Australia	Refer to the <i>Site Planning Guide</i> .
5009152	Japan	Refer to the <i>Site Planning Guide</i> .
5029431	China	Refer to the <i>Site Planning Guide</i> .
5044093	India	Refer to the <i>Site Planning Guide</i> .

Roughing Pump

Table 2-4 Roughing Pump Spares

Part Number	Description	Remark
028685	Roughing pump oil return line for the HS602 roughing pump.	For 3200, 4000, and 5000 series systems. Refer to the <i>Qualified Maintenance Person Guide</i> .
1034438	Exhaust filter cartridge for the MS 40 roughing pump.	For 6500, 6500+, and 7500 series systems. Note: The SCIEX Triple Quad™ 7500 LC-MS/MS System – QTRAP® Ready mass spectrometer is configured with dual MS 40 and MS 120 roughing pumps.
5081834	Exhaust filter cartridge for the MS 120 roughing pump.	For the 7500 LC-MS/MS System – QTRAP® Ready
5037860	Roughing pump oil change kit. The kit contains a roughing pump oil extraction system that simplifies and speeds up the oil change process.	Contact an FSE. Note: Not for use with the HS602 roughing pump.
9499342	Roughing pump oil exhaust filter for the HS602 roughing pump.	For 3200, 4000, and 5000 series systems. Refer to the <i>Qualified Maintenance Person Guide</i> .

Turbo V™, IonDrive™ Turbo V, and DuoSpray™ Ion Sources

For maintenance procedures, refer to the documentation that comes with the ion source.

Spare Parts

Table 2-5 Turbo V™, IonDrive™ Turbo V, and DuoSpray™ Ion Source Spares

Part Number	Description	Remark
1005100	TurbolonSpray® probe assembly for the DuoSpray™ Ion Source.	Refer to the <i>DuoSpray™ Ion Source Operator Guide</i> .
5041898	Twin ESI probe assembly.	For SCIEX X500 QTOF and ZenoTOF™ 7600 LC-MS/MS LC-MS/MS Systems. Refer to the <i>Turbo V™ Ion Source Operator Guide</i> .
5041899	Twin APCI probe assembly.	For SCIEX X500 QTOF and ZenoTOF™ 7600 LC-MS/MS LC-MS/MS Systems. Refer to the <i>Turbo V™ Ion Source Operator Guide</i> .
5060807	APCI probe assembly. Refer to Figure 2-2 .	For SCIEX Triple Quad™, QTRAP®, and TripleTOF® Systems. Refer to the <i>Operator Guide</i> for the ion source or the <i>3200 Series of Instruments System User Guide</i> .
5060806	TurbolonSpray® Probe assembly. Refer to Figure 2-1 .	For SCIEX Triple Quad™, QTRAP®, and TripleTOF® Systems. Refer to the <i>Operator Guide</i> for the ion source or the <i>3200 Series of Instruments System User Guide</i> .

Figure 2-1 TurbolonSpray® Probe Assembly (PN 5060806)

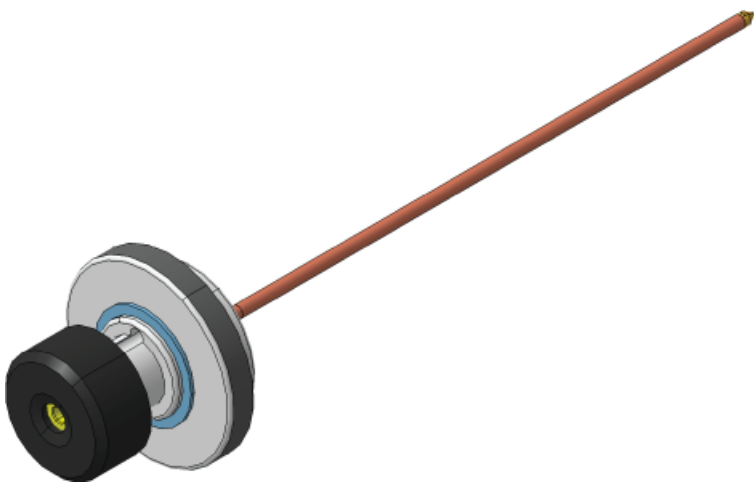
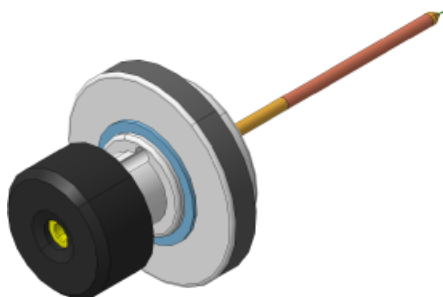


Figure 2-2 APCI Probe Assembly (PN 5060807)



OptiFlow[®] Turbo V Ion Source

For maintenance procedures, refer to the documentation that comes with the ion source.

Table 2-6 OptiFlow[®] Turbo V Ion Source Spares

Part Number	Description	Remark
5066024	MICRO 50-200 μ L probe. Flow rates between 50 μ L and 200 μ L.	Refer to the <i>OptiFlow[®] Turbo V Ion Source Operator Guide</i> . Note: 5066024 has replaced the 5063236 SteadySpray ANALYTICAL probe.
5066026	MICRO 1-50 μ L probe. Flow rates between 1 μ L and 50 μ L.	Refer to the <i>OptiFlow[®] Turbo V Ion Source Operator Guide</i> . Note: 5066026 has replaced the 5063235 SteadySpray MICRO probe
5071350	ANALYTICAL > 200 μ L probe. Flow rates greater than 200 μ L.	Refer to the <i>OptiFlow[®] Turbo V Ion Source Operator Guide</i> .
5067457	NANO < 1 μ L probe. Flow rates between 100 nL and 1000 nL.	Refer to the <i>OptiFlow[®] Turbo V Ion Source Operator Guide</i> . Note: 5067457 SteadySpray NANO probe has been renamed NANO <1 μ L probe.

Spare Parts

Table 2-6 OptiFlow[®] Turbo V Ion Source Spares (continued)

Part Number	Description	Remark
5083897	ESi Calibration probe. Flow rates between 1 $\mu\text{L}/\text{min}$ and 2000 $\mu\text{L}/\text{min}$.	Refer to the <i>OptiFlow[®] Turbo V Ion Source Operator Guide</i> for the ZenoTOF [™] 7600 LC-MS/MS System.
5060962	Probe port plug	Refer to the <i>OptiFlow[®] Turbo V Ion Source Operator Guide</i> .

Figure 2-3 MICRO, ANALYTICAL, or NANO Probe



OptiFlow[®] Pro Ion Source

For maintenance procedures, refer to the documentation that comes with the ion source.

Table 2-7 OptiFlow[®] Pro Ion Source Spares

Part Number	Description	Remark
5066024	MICRO 50-200 μL probe. Flow rates between 50 μL and 200 μL .	Refer to the <i>OptiFlow[®] Pro Ion Source Operator Guide</i> .
5066026	MICRO 1-50 μL probe. Flow rates between 1 μL and 50 μL .	Refer to the <i>OptiFlow[®] Pro Ion Source Operator Guide</i> .
5071350	ANALYTICAL probe. Flow rates greater than 200 μL .	Refer to the <i>OptiFlow[®] Pro Ion Source Operator Guide</i> .

Table 2-7 OptiFlow[®] Pro Ion Source Spares (continued)

Part Number	Description	Remark
5074815	E Lens [™] Technology (MICRO) 1-200 µL	Refer to the <i>OptiFlow[®] Pro Ion Source Operator Guide</i> .
5060962	Probe port plug	Refer to the <i>OptiFlow[®] Pro Ion Source Operator Guide</i> .

Figure 2-4 MICRO or ANALYTICAL Probe



NanoSpray[®] Ion Source

For maintenance procedures, refer to the documentation that comes with the ion source.

Table 2-8 Mains Supply Cables by Country

Part Number	Country	Remark
5028431	Australia	N/A
5029431	China	N/A
5027841	Europe	N/A
5027961	Italy	N/A
5029429	Japan	N/A
400-00023	North America	N/A
5028400	South Korea	N/A

Spare Parts

Table 2-8 Mains Supply Cables by Country (continued)

Part Number	Country	Remark
5027461	Switzerland	N/A
5027349	United Kingdom	N/A

Mass Spectrometer

For maintenance procedures, refer to the documentation that comes with the mass spectrometer.

Table 3-1 Mass Spectrometer Consumables

Part Number	Description	Remark
017819	O-ring for the vacuum interface	Refer to the <i>System User Guide</i> .
018027	Lint-free wipe	Refer to the <i>Qualified Maintenance Person Guide</i> .
1007740	Card cage air filter	For 3200 series systems. Refer to the <i>Qualified Maintenance Person Guide</i> .
1017396	Small poly swab, package of 12	Refer to the <i>Qualified Maintenance Person Guide</i> .
1027708	Mass spectrometer air filter kit including four air filters	For 3500, 4500, 5500, 5500+, 6500, 6500+, and 7500 series systems. Refer to the <i>Qualified Maintenance Person Guide</i> .
1028234	Q0 cleaning tool	Refer to the <i>Qualified Maintenance Person Guide</i> .
1032854	Cooling fan filter	For TripleTOF [®] Systems. Refer to the <i>Qualified Maintenance Person Guide</i> .
4376887	Triazine standard solution	Refer to the <i>Customer Familiarization Checklist</i> .
4406127	PPG MS chemical kit	Refer to the <i>Ion Source Tests, Specifications, and Data Log</i> .

Consumables

Table 3-1 Mass Spectrometer Consumables (continued)

Part Number	Description	Remark
5020761	Cleaning kit, 3200, 4000, 3500, 4500, 5000, and 5500 systems	Refer to the <i>Qualified Maintenance Person Guide</i> . Contains the small poly swab, lint-free wipe, Q0 cleaning tool, straight cleaning brush for the QJet [®] Ion Guide, and Alconox packets.
5020763	Cleaning kit, TripleTOF [®] Systems	Refer to the <i>Qualified Maintenance Person Guide</i> . Contains the small poly swab, lint-free wipe, Q0 cleaning tool, tapered cleaning brush for the QJet [®] Ion Guide, and Alconox packets.
5020893	Alconox packets	Refer to the <i>Qualified Maintenance Person Guide</i> .
5020894	Straight custom brush for the QJet [®] Ion Guide for 3500, 4500, and 5500 series systems	Refer to the <i>Qualified Maintenance Person Guide</i> .
5020895	Straight custom brush for the IonDrive [™] QJet Ion Guide for 5500+, 6500, 6500+, and TripleTOF [®] Systems	Refer to the <i>Qualified Maintenance Person Guide</i> .
5021294	Cleaning kit, 5500+, 6500, 6500+, and 7500 series systems	Refer to the <i>Qualified Maintenance Person Guide</i> . Contains the small poly swab, lint-free wipe, Q0 cleaning tool, straight cleaning brush for the IonDrive [™] QJet Ion Guide, and Alconox packets.
5077206	MS Single Tuning Solution Kit. Contains MS Single Tuning Solution (5077207) and MS Wash Solvent (5077210)	Refer to the <i>System User Guide</i> .
5075399	CDS filters 10 µm	Refer to the <i>ZenoTOF[™] 7600 LC-MS/MS System User Guide</i> .

Roughing Pump

For maintenance procedures, refer to the documentation that comes with the mass spectrometer.

Table 3-2 Roughing Pump Consumables

Part Number	Description	Remark
010998	Roughing pump oil for the HS602 roughing pump, 1 L	For 3200 series systems and 4000 and 5000 series systems with the HS602 roughing pump. Refer to the <i>Qualified Maintenance Person Guide</i> .
5043115	Roughing pump oil for SV roughing pumps, 1 L	For 3500, 4500, 5500, 5500+, and TripleTOF [®] Systems. Refer to the <i>Qualified Maintenance Person Guide</i> . Note: Two bottles of oil might be required.
5064867	Roughing pump oil for MS 40 and MS 120 roughing pumps. The MS 40 requires 1 L of oil. The MS 120 requires 1.8 L of oil.	For 6500, 6500+, and 7500 series systems. Refer to the <i>Qualified Maintenance Person Guide</i> . Note: The SCIEX Triple Quad [™] 7500 LC-MS/MS System – QTRAP [®] Ready is configured with dual MS 40 and MS 120 roughing pumps.

Turbo V[™] and IonDrive[™] Turbo V Ion Sources

For maintenance procedures, refer to the documentation that comes with the ion source.

Table 3-3 Turbo V[™] Ion Source and IonDrive[™] Turbo V Ion Source Consumables

Part Number	Description	Remark
5051034	Corona discharge needle.	Refer to the <i>Operator Guide</i> for the ion source or the <i>3200 Series of Instruments System User Guide</i> .
5051082	Metal-encased turbo heater for the Turbo V [™] Ion Source.	Refer to the <i>Qualified Maintenance Person Guide</i> .

Consumables

Table 3-3 Turbo V™ Ion Source and IonDrive™ Turbo V Ion Source Consumables (continued)

Part Number	Description	Remark
5052616	Electrode for the TurbolonSpray® Probe.	For SCIEX Triple Quad™, QTRAP®, and TripleTOF® Systems. Refer to the <i>Operator Guide</i> for the ion source or the <i>3200 Series of Instruments System User Guide</i> .
5053788	Electrode for the APCI probe.	For SCIEX Triple Quad™, QTRAP®, and TripleTOF® Systems. Refer to the <i>Operator Guide</i> for the ion source or the <i>3200 Series of Instruments System User Guide</i> .
5054421	Ceramic-encased turbo heater for the Turbo V™ Ion Source.	Refer to the <i>Qualified Maintenance Person Guide</i> .
5054661	Turbo heater for the IonDrive™ Turbo V Ion Source without covers.	Refer to the <i>Qualified Maintenance Person Guide</i> .
5049795	Electrode for the twin ESI probe.	For SCIEX X500 QTOF and ZenoTOF™ 7600 LC-MS/MS LC-MS/MS Systems. Refer to the <i>Turbo V™ Ion Source Operator Guide</i> .
5054901	Electrode for the twin APCI probe.	For SCIEX X500 QTOF and ZenoTOF™ 7600 LC-MS/MS LC-MS/MS Systems. Refer to the <i>Turbo V™ Ion Source Operator Guide</i> .
5058778	Turbo heater for the Turbo V™ Ion Source with covers.	Refer to the <i>Qualified Maintenance Person Guide</i> .
016316	Red PEEK tubing (0.005-inch bore), 100 cm.	Sample tubing, 100 cm.
016325	Brown PEEK fitting, pack of 5.	Sample tubing nut.
016485	Tan PEEK tubing (0.0025-inch bore).	Specify order quantity in cm.
019675	Tee insert (0.25 mm bore).	Grounding union connection.

Figure 3-1 Red PEEK Tubing (SCIEX Triple Quad™, QTRAP®, and TripleTOF® Systems)

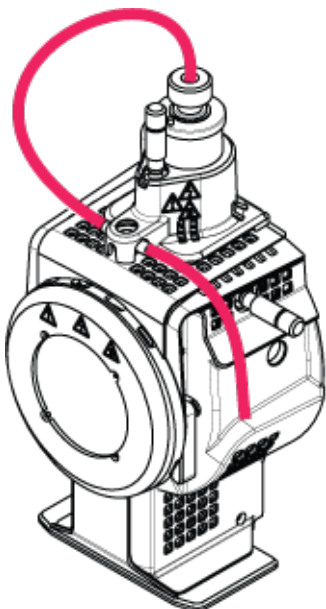
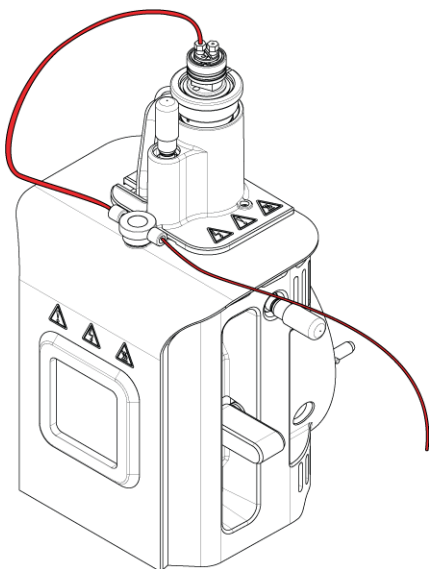


Figure 3-2 Red PEEK Tubing (SCIEX X500 QTOF and ZenoTOF™ 7600 LC-MS/MS LC-MS/MS Systems)



OptiFlow[®] Turbo V Ion Source

For maintenance procedures, refer to the documentation that comes with the ion source.

Table 3-4 OptiFlow[®] Turbo V Ion Source Consumables

Part Number	Description	Remark
5061574	ELECTRODE 1-10 μ L. Flow rates between 1 μ L and 10 μ L. Pack of 5.	Refer to the <i>OptiFlow[®] Turbo V Ion Source Operator Guide</i> . Note: 5061574 SteadySpray LOW MICRO electrode has been renamed ELECTRODE 1-10 μ L.
5061575	ELECTRODE 10-50 μ L. Flow rates between 10 μ L and 50 μ L. Pack of 5.	Refer to the <i>OptiFlow[®] Turbo V Ion Source Operator Guide</i> . Note: 5061575 SteadySpray MICRO electrode has been renamed ELECTRODE 10-50 μ L.
5061576	ELECTRODE 50-200 μ L. Flow rates between 50 μ L and 200 μ L. Pack of 2.	Refer to the <i>OptiFlow[®] Turbo V Ion Source Operator Guide</i> . Note: 5061576 SteadySpray HIGH MICRO electrode has been renamed ELECTRODE 50-200 μ L.
5061577	MICRO electrodes starter pack. Mixed pack of 5 electrodes.	Refer to the <i>OptiFlow[®] Turbo V Ion Source Operator Guide</i> .
5070382	NANO electrodes starter pack. Flow rates between 100nL and 1000 nL. Pack of 5.	Refer to the <i>OptiFlow[®] Turbo V Ion Source Operator Guide</i> .
5079351	ESI CALIBRATION ELECTRODE. Flow rates between 1 μ L and 2000 μ L.	Refer to the <i>OptiFlow[®] Turbo V Ion Source Operator Guide</i> .
5060978	Stainless steel upper fitting used for the column connection.	Refer to the <i>OptiFlow[®] Turbo V Ion Source Operator Guide</i> .
5061373	PEEK upper fitting used for the MICRO column connection.	Refer to the <i>OptiFlow[®] Turbo V Ion Source Operator Guide</i> .
5053325	PEEK ferrule for 1/16" o.d. tubing.	N/A

Table 3-4 OptiFlow[®] Turbo V Ion Source Consumables (continued)

Part Number	Description	Remark
5055764	Lower probe O-ring, 10 mm i.d. x 1.5 mm.	N/A
5045265	Upper probe O-ring, 4 mm i.d. x 1.0 mm.	N/A
5060726	Installation kit (MICRO).	This kit contains spare parts if required for a new installation.
5069262	NANO upgrade kit.	This kit contains NANO parts required to operate the system with the NANO probe and column heater.

OptiFlow[®] Pro Ion Source

For maintenance procedures, refer to the documentation that comes with the ion source.

Table 3-5 OptiFlow[®] Pro Ion Source Consumables

Part Number	Description	Remark
5061574	ELECTRODE 1-10 μ L. Flow rates between 1 μ L and 10 μ L. Pack of 5.	Refer to the <i>OptiFlow[®] Pro Ion Source Operator Guide</i> .
5061575	ELECTRODE 10-50 μ L. Flow rates between 10 μ L and 50 μ L. Pack of 5.	Refer to the <i>OptiFlow[®] Pro Ion Source Operator Guide</i> .
5061576	ELECTRODE 50-200 μ L. Flow rates between 50 μ L and 200 μ L. Pack of 2.	Refer to the <i>OptiFlow[®] Pro Ion Source Operator Guide</i> .
5061577	MICRO electrodes starter pack. Mixed pack of 5 electrodes.	Refer to the <i>OptiFlow[®] Pro Ion Source Operator Guide</i> .
5071438	ELECTRODE ANALYTICAL.	Refer to the <i>OptiFlow[®] Pro Ion Source Operator Guide</i> .
5060978	Stainless steel upper fitting used for the column connection.	Refer to the <i>OptiFlow[®] Pro Ion Source Operator Guide</i> .
5061373	PEEK upper fitting used for the MICRO column connection.	Refer to the <i>OptiFlow[®] Pro Ion Source Operator Guide</i> .
5053325	PEEK ferrule for 1/16 inch o.d. tubing.	N/A

Consumables

Table 3-5 OptiFlow[®] Pro Ion Source Consumables (continued)

Part Number	Description	Remark
5055764	Lower probe O-ring, 10 mm i.d. x 1.5 mm.	N/A
5045265	Upper probe O-ring, 4 mm i.d. x 1.0 mm.	N/A
5060726	Installation kit (MICRO).	This kit contains spare parts if required for a new installation.

DuoSpray[™] Ion Source

For maintenance procedures, refer to the documentation that comes with the ion source.

Table 3-6 DuoSpray[™] Ion Source Consumables

Part Number	Description	Remark
026626	Spring for probe	N/A
027013	Spring for corona discharge needle	N/A
027497	Gold-plated spring for HV connection	N/A
1006174	Corona discharge needle rod	Refer to the <i>DuoSpray[™] Ion Source Operator Guide</i> .
1006177	Corona discharge needle tip	Refer to the <i>DuoSpray[™] Ion Source Operator Guide</i> .
5052616	Electrode for the TurbolonSpray [®] Probe	Refer to the <i>DuoSpray[™] Ion Source Operator Guide</i> .
5053788	Electrode for the APCI probe	Refer to the <i>DuoSpray[™] Ion Source Operator Guide</i> .
016316	Red PEEK tubing (0.005-inch bore), 100 cm	For TripleTOF [®] Systems. Sample tubing. Refer to the <i>DuoSpray[™] Ion Source Operator Guide</i> .
016325	Brown PEEK fitting, pack of 5	Sample tubing nuts
1005601	PEEK tubing kit to connect to TurbolonSpray [®] Probe, 30 cm	For SCIEX Triple Quad [™] and QTRAP [®] Systems. Refer to the <i>DuoSpray[™] Ion Source Operator Guide</i> .

Table 3-6 DuoSpray™ Ion Source Consumables (continued)

Part Number	Description	Remark
1005602	PEEK tubing kit to connect to APCI probe, 45 cm	For SCIEX Triple Quad™ and QTRAP® Systems. Refer to the <i>DuoSpray™ Ion Source Operator Guide</i> .
5041723	PEEK Graph-tite fitting, Black, 1/16 inch, pack of 2	N/A
5045984	PEEK union in probe	N/A

NanoSpray® Ion Source

For maintenance procedures, refer to the documentation that comes with the ion source.

Table 3-7 NanoSpray® Ion Source Consumables

Part Number	Description	Remark
200-00096	Fused silica cutter	Refer to the <i>NanoSpray® Ion Source Operator Guide</i> .
200-00213	Fitting and ferrule used at the nebulizer gas port	Refer to the <i>NanoSpray® Ion Source Operator Guide</i> .
200-00303	Stainless steel union, 1/16 inches on one end, 1/32 inches on the other	Refer to the <i>NanoSpray® Ion Source Operator Guide</i> .
200-00408	PEEK fitting for 360 µm o.d. tubing	Refer to the <i>NanoSpray® Ion Source Operator Guide</i> .
910-00112	Adapter kit for the NanoSpray® III Ion Source	Includes the fittings, sleeves, adapter block and union and emitters. Refer to the <i>NanoSpray® Ion Source Operator Guide</i> .
1003988	Syringe for the infusion test	Refer to the <i>NanoSpray® Ion Source Operator Guide</i> .
1006547	395 µm (0.0155 inch) i.d., 1/16 inch o.d. green FEP sleeve, 1.6 inch length, for use with the sprayer fitting.	Refer to the <i>NanoSpray® Ion Source Operator Guide</i> .
1034697	Optional Tee union with the makeup flow	Refer to the <i>NanoSpray® Ion Source Operator Guide</i> .

Consumables

Table 3-7 NanoSpray[®] Ion Source Consumables (continued)

Part Number	Description	Remark
1035752	Precut (7 cm) uncoated emitter tips with 20 µm i.d., 10 µm at the tip	Refer to the <i>NanoSpray[®] Ion Source Operator Guide</i> .
1035770	O-ring at the front of the rail, for the nebulizer gas connection	Refer to the <i>NanoSpray[®] Ion Source Operator Guide</i> .
5015860	Finger-tight PEEK hex nut for the sprayer side of the straight union	Refer to the <i>NanoSpray[®] Ion Source Operator Guide</i> .
5015886	Syringe union for use with fused silica tubing	Refer to the <i>NanoSpray[®] Ion Source Operator Guide</i> .
5015900	Syringe union for use with red PEEK-line fused silica tubing	Refer to the <i>NanoSpray[®] Ion Source Operator Guide</i> .
5015902	Straight union	Can also be ordered with the union holder, fittings, and thumbscrew. Refer to PN 5016361.
5016361	Straight union and holder	The complete union assembly, including the holder, union, fittings, and union thumbscrew. Refer to the <i>NanoSpray[®] Ion Source Operator Guide</i> .
5017932	PEEK fitting to connect the sample line (fused silica or PEEK-lined fused silica) to the union on the rail.	Refer to the <i>NanoSpray[®] Ion Source Operator Guide</i> .
5052735	Consumables kit	Refer to the <i>NanoSpray[®] Ion Source Operator Guide</i> .

Calibrant Delivery System (TripleTOF[®] Systems)

Table 3-8 Calibrant Delivery System (CDS) Consumables

Part Number	Description	Quantity	Upchurch Part Number
5008141	NUT, PEEK, SHORT, 1/4-28	1	LT-115
5008152	FERRULE, PEEK, SUPER FLANGELESS	2	P-260
5008157	FITTING, PEEK, NAT, LONG,	1	F130

Table 3-8 Calibrant Delivery System (CDS) Consumables (continued)

Part Number	Description	Quantity	Upchurch Part Number
5008232	PLUG, ACETAL, BLACK	1	U-467BLK
5008296	TUBING, PEEK, BLUE, 1/16x.010x40CM	1	PM-1960B
5002985	TUBING, PEEK, RED, 1/16x.125x40CM	1	PM-1945R
5008298	TUBING, PEEK, GREEN, 1/16x.030x16CM	1	PM1820G
N/A	TUBING, FEP, NAT, 1/16x.030x60CM	5	PM1000
N/A	TUBING, FEP, NAT, 1/16x.030x17CM	1	PM1000
5008302	TUBING, FEP, GREEN, 1/16x.030x60CM	2	PM1000G
5008303	FILTER ASSY, PEEK, BOB, 1/16,10um,GL-38	2	A-453
N/A	CAP ASSY, BOTTLE, 1/16,GL-38	5	N/A
N/A	FITTINGS, KNOB, BLACK	11	N/A
N/A	FERRULE, PEEK	11	N/A
N/A	NUT, RHEFLEX	11	N/A

Calibration Solutions

Table 3-9 Calibration Solutions ZenoTOF™ 7600 LC-MS/MS Systems

Part Number	Description	Quantity
5049910	ESI Positive Calibration Solution X500 B	100 mL
5032735	ESI Positive Calibration Solution X500 B — 5 Pack	5 × 100 mL
5042913	ESI Negative Calibration Solution X500 B	100 mL
5042917	ESI Negative Calibration Solution X500 B — 5 Pack	5 × 100 mL
5042914	APCI Positive Calibration Solution X500 B	100 mL
5024918	APCI Positive Calibration Solution X500 B — 5 Pack	5 × 100 mL
5024915	APCI Negative Calibration Solution X500 B	100 mL

Consumables

Table 3-9 Calibration Solutions ZenoTOF™ 7600 LC-MS/MS Systems (continued)

Part Number	Description	Quantity
5024919	APCI Negative Calibration Solution X500 B — 5 Pack	5 × 100 mL
5033025	Calibration Solution for SCIEX X500 B System <ul style="list-style-type: none">• ESI Positive Calibration Solution X500 B• ESI Negative Calibration Solution X500 B• APCI Positive Calibration Solution X500 B• APCI Negative Calibration Solution X500 B	4 × 100 mL

Table 3-10 Calibration Solutions SCIEX X500 QTOF Systems (X500 B and X500 R)

Part Number	Description	Quantity
5049910	ESI Positive Calibration Solution X500 B	100 mL
5032735	ESI Positive Calibration Solution X500 B — 5 Pack	5 × 100 mL
5042913	ESI Negative Calibration Solution X500 B	100 mL
5042917	ESI Negative Calibration Solution X500 B — 5 Pack	5 × 100 mL
5042914	APCI Positive Calibration Solution X500 B	100 mL
5024918	APCI Positive Calibration Solution X500 B — 5 Pack	5 × 100 mL
5024915	APCI Negative Calibration Solution X500 B	100 mL
5024919	APCI Negative Calibration Solution X500 B — 5 Pack	5 × 100 mL
5033025	Calibration Solution for SCIEX X500 B System <ul style="list-style-type: none">• ESI Positive Calibration Solution X500 B• ESI Negative Calibration Solution X500 B• APCI Positive Calibration Solution X500 B• APCI Negative Calibration Solution X500 B	4 × 100 mL

Table 3-11 Calibration Solutions 5600, 5600+, 6600, and 6600+ Systems

Part Number	Description	Quantity
4460131	APCI Positive Calibration Solution for the SCIEX TripleTOF [®] System	100 mL
4460134	APCI Negative Calibration Solution for the SCIEX TripleTOF [®] System	100 mL
4460136	APCI Positive Calibration Solution for the SCIEX TripleTOF [®] System (5 — pack)	5 × 100 mL
4460138	APCI Negative Calibration Solution for the SCIEX TripleTOF [®] System (5 — pack)	5 × 100 mL
4463272	ESI Positive Calibration Solution for the SCIEX TripleTOF [®] System	100 mL
4463274	ESI Positive Calibration Solution for the SCIEX TripleTOF [®] System (5 — pack)	5 × 100 mL
4463276	ESI Negative Calibration Solution for the SCIEX TripleTOF [®] System (5 — pack)	5 × 100 mL
4463277	ESI Negative Calibration Solution for the SCIEX TripleTOF [®] System	100 mL